

Automatic Ambulance Rescue System

Miss. Bageshree V. Wakhare¹, Dr. S.R.Ganorkar²

Post Graduate Student, Electronics and Telecommunication, Sinhgad College of Engineering Pune, India

Professor, Electronics and Telecommunication Sinhgad College of Engineering Pune, India

Abstract: Street accidents and traffic overcrowding are one of the major cumbersome tasks in crowded cities. Presently, there is no technology for accident detection. Also the time consumed by the ambulance in reaching the accident location and the intense traffic between accident location and hospital leads to possible loss of victim's life. Thus we have introduced a new system to limit the loss of life and which automates the detection of accident through sensors provided in the vehicle. This system uses GPS, GSM for communication between ambulance, vehicle and main server. It also uses RF communication for communicating between server and traffic control This will minimize the time of ambulance to reach the nearest hospital. A patient monitoring system in the ambulance will convey the vital parameters of the patient to the nearest hospital. Automatic Ambulance Rescue System (AARS) is totally independent, and is very helpful to save a precious life.

Keywords: AARS, GPS, GSM, Vital Parameters.

I. INTRODUCTION

There is a significant amount of time required by the ambulance to reach the hospital due to the traffic and other unavoidable problems. That is why the ambulance faces problem which increases the chances of the deaths of victim because of time lack. Recently for detection of accident there is no any technology used. The accident sufferer is based on the leniency of others to help them to reach the hospital. Due to all these circumstances there is a huge rate of accident victims every year. To conquer the disadvantage of present system we have implemented a new system in which accident detection is done automatically. Detection of accident is being done by using a sensor, GPS, GSM unit which is fitted in the vehicle. It informs the accident location to a main server unit which contains the database of all the nearby hospitals. Information is given to the ambulance about the accident spot so that it carries the patient to the hospital. Also it monitors the critical parameters like temperature and pulse rate. There would be a facility of controlling the traffic lights in the path of the ambulance via RF communication to render a clear path for the ambulance. This helps in reducing time required to check the patient. Currently Wireless Sensor Networks (WSN) can be used in most of the domains. Traffic Signal System or traffic monitoring is a immense domain where WSN can be applied to accumulate information about the incoming flow of traffic, traffic load on road, traffic load peak hours and in vehicle prioritization. WSN positioned along a road can be listed to rule the traffic burden on roads and at traffic crossing.

II. SYSTEM ARCHITECTURE

Proposed system is divided in four different units as shown in fig1 which decrease the time required by the ambulance to reach the hospital. Following are the units

➤ The Vehicle unit

- The Main Server
- The Ambulance Unit
- The Traffic Control unit

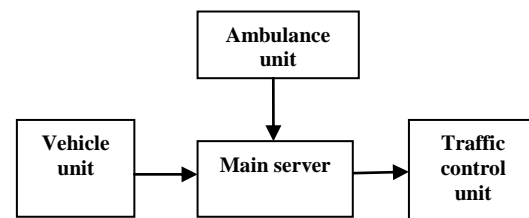


Fig 1. Overall Schematic of AARS

Accident is detected by the vehicle unit and it sends the exact. Latitude and Longitude co-ordinates of the accident spot to the main server. The main server search for the nearest hospital and convey the ambulance (Ambulance unit).The main server also finds the shortest path between the accident location and the ambulance to follow the same path. The traffic control unit is used to control the traffic lights between the ambulance unit and accident location so as to reduce the time required for the ambulance to reach the accident location. The block diagram of this system is shown in the fig 1.

1.The Vehicle Unit

For implementation consider vehicle unit has been installed in every vehicle. It contains microcontroller, accelerometer, GPS and GSM module and sensors to identify the accident. On crash of the vehicle, information about accident is conveyed to the main server. GPS module consists of co-ordinates of the accident spot. The GPS system is used to find out current location of vehicle (latitude and longitude) which is the exact location of accident spot and gives that data to GSM module. The accident location is then conveyed to the main server unit

that houses the database of all the nearby hospitals and guides an ambulance to the accident spot. This information to the main server is conveyed by GSM module. The location information is given to ambulance which helps it to reach the accident location immediately to save the casualties.

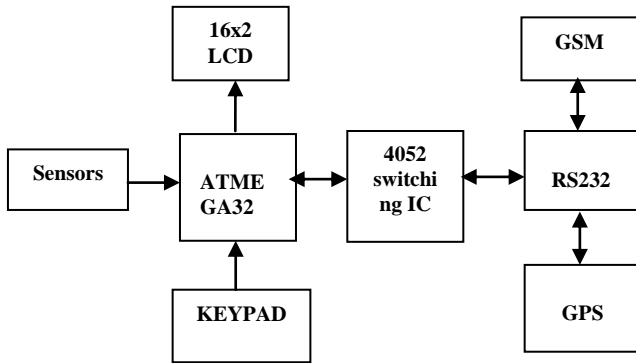


Fig 2 The Block Schematic of the Vehicle Unit.

2. The Main Server Unit

Server unit is the heart of the proposed system. Practically, the Server unit contains all the database of all the nearby hospitals in order to send an ambulance to the accident spot. It is conveyed by the GPS and GSM module installed in vehicle unit about the message informing and accident location. Server unit has many tasks to perform. Task can be listed down as:

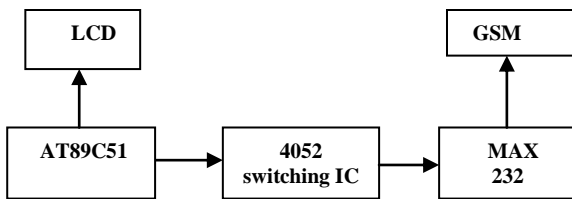


Fig 3 The Block Schematic of Main Server Unit

1. Getting GPS co-ordinates from the vehicle unit. these units are communicated to the server unit using GSM unit in vehicle unit.
2. Communicating to nearest hospital
3. Controlling the signal post on the shortest path. On the occurrence of accident, GPS co-ordinates are traced and sends the location to server unit. Our server unit will already have the locations of all the nearby ambulances. At that point of time from the accident location the server unit looks for the nearest ambulance which contains the details of all free and busy ambulances. Comparison of distance between all the nearby ambulances is being done from the accident location. The ambulance with shortest path is guided to the accident location.

3. The Ambulance Unit

The ambulance unit is one of the complex units of the system. Mainly ambulance unit contains GPS and GSM module for getting GPS co-ordinates, a RF Module for communication with the traffic control unit. The ambulance unit also evaluates basic parameters of the patient so as to reduce time for diagnosis process after

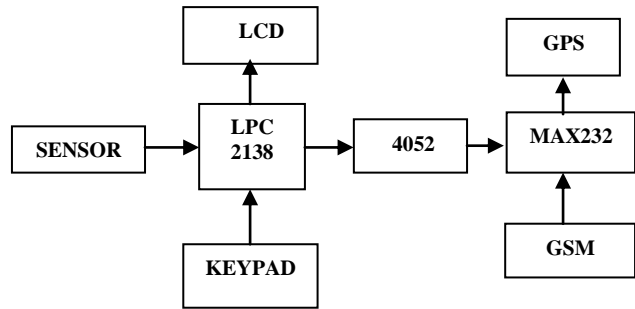


Fig 4 The Block Schematic of Ambulance Unit

reaching the hospital. The vital parameters monitored by ambulance unit are heart rate and body temperature. Different sensors are used for measuring heart rate and body temperature of the patient. A report of this diagnosis is communicated to the nearest hospital. These sensors act as a input to the controlling unit of ambulance unit. An ARM7 controller is used to control all operations of ambulance unit. Another important task performed by ambulance unit is using RF module so that the ambulance gets the desired location in shortest possible time. Both traffic control unit and ambulance unit has RF module. In this way the signal posts are manipulated to get a break free path for the ambulance. Fig shows block schematic of ambulance unit for better understanding. The ambulance unit has a RF transmitter and the traffic control unit has a RF receiver. The RF transmitter on the ambulance will communicate with the RF receiver of the traffic control unit. The main server communicates the traffic unit with the shortest path to the hospital. Without any overcrowding ambulance will get a clear path all along its way to the hospital.

4. Traffic control unit

Traffic control unit is mainly responsible for managing the signal posts in the path of ambulance. The block representation of the traffic control unit can be seen in fig. The controller is connected to both RF module and signal posts, RF module acts as input where as signal posts are output .The RF id card reader reads the RF tag .This tag is communicated to traffic control unit via RF module. The controller receives the id and then in turn enables the signal post tagged to that id to go green. In this way, whenever the ambulance approaches the signal post. The post goes green. Microcontroller 89C51 is used to control all operations of the traffic control unit.

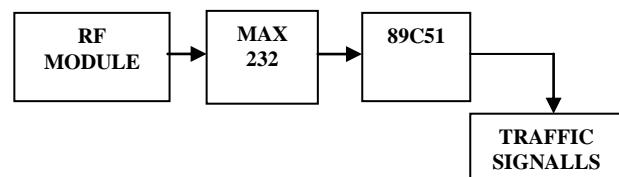


Fig 5 The Block Schematic of Traffic Control Unit.

Controller passes signals to the traffic signals and accordingly they turn green. In this way the signals in the shortest path to the hospital is cleared for the ambulance reaches the hospital in time.

III. COMPONENTS USED IN PROPOSED SYSTEM

An effective solution for the proposed system is to rescue the accident sufferer and cautiously carrying him to the abreast hospital. Components which are mainly take part in proposed system are as follows:

1. ATmega32 microcontroller:
For controlling purpose in the vehicle unit it is used. Sensors are the inputs in this unit and result is displayed on the LCD.
2. Accelerometer (ADXL335):
It is a sensor to check for occurrence of the accident. As accelerometer co-ordinates varies the vehicle is tilted to accident.
3. Vibration sensor: (PUSH to ON SWITCH):
It is used as a sensor to check for the occurrence of the accident. Switch changes its state when vehicle is hit during accident.
4. AT89C51 Microcontroller:
It is used to control all operations of server unit such as getting GPS co-ordinates, informing the same to the traffic control unit, ambulance unit etc.
5. ARM Microcontroller (LPC 2138):
It is a 60 MHz microcontroller used in ambulance unit to control its operations such as fetching GPS co-ordinates, RF communication with traffic control unit, etc.
6. GSM Module (SIM900):
GSM Module is used for communicating the GPS co-ordinates to the server unit.
7. LCD 16*2 Display:
It is used for display purpose to make the proposed system user friendly.

IV. RESULTS

The actual setup of the proposed system is shown below in Fig 6. The setup is connected to a regulated power supply. The figure shows different units for the proposed system.

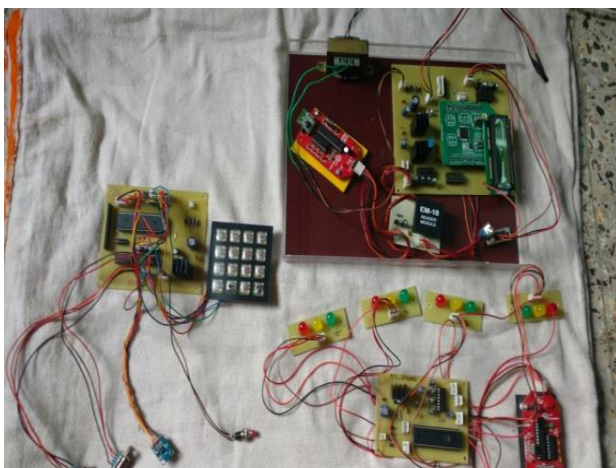


Fig 6. Actual Setup of the Proposed System

Traffic control unit controlling the traffic signals is shown in below Fig 7. It shows one of the signal goes green as RF module detects ambulance near that signal.



Fig 7. Traffic Control Unit Displaying Traffic Signals

The vehicle unit is shown in below fig 8. It displays sensors used for detection of accident. Sensors are connected to ATmega32 ports and then microcontroller informs the server unit about the occurrence of accident.

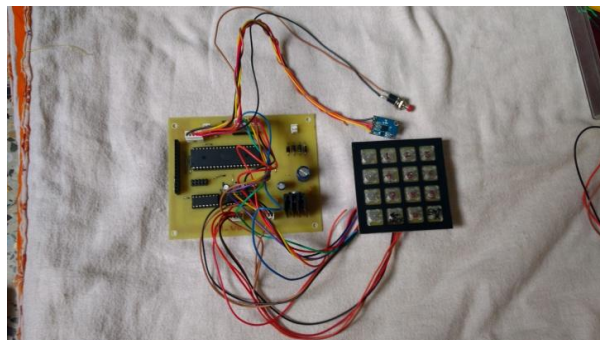


Fig 8. Vehicle Unit With Accident Detection Sensors

Fig 9 shows the ambulance unit showing RF module and RF card reader. It uses ARM7 controller for controlling all operations of ambulance unit.



fig.9 Ambulance Unit

The LCD displays the detection of accident. It also gets GPS co-ordinates from GPS module and displays them on LCD display. We have set accelerometer co-ordinates as $X_{min} = Y_{min} = 270$ and $X_{max} = Y_{max} = 380$. This range specifies the normal position of vehicle. If co-ordinates go out of range, then we say that accident has occurred. It also shows the temperature. It can be seen in below Fig 10.



Fig10 displays gps co-ordinates after accident detection and temperature

V. CONCLUSION

The AARS system presented focuses on an important issue on the increasing traffic in metro cities. This system can be implemented in such places and can reduce the death victims. The system gives an exit solution for emergency situations like accident. For detection of accident accelerometer and vibration sensor is used. Accelerometer co-ordinates are given as Xmin=Ymin=270 and Xmax=Ymax=380. The traffic can be manipulated using the traffic control unit. The parameters monitoring in ambulance also helps in instant diagnosis of patient. It is shown on LCD temperature as 30°C. This reduces a great amount of time. Implementation of the proposed system can reduce the death rate to remarkable extent.

ACKNOWLEDGMENT

I would like to thank all the anonymous referees for their remarkable guidance that has enhanced the quality of this paper. Also I would to thank my P.G co-ordinator **Prof. M.M. Jadhav** and Head of Department **Dr. M.B. Mali** for his valuable guidance.

REFERENCES

[1] Sotiris Pavlopoulos, efthyvouloskyriacou,” A Novel Emergency Telemedicine System Based on Wireless Communication Technology—Ambulance”, iee transactions on information technology in biomedicine, vol. 2, no. 4, December 1998, pp. 261-267.

[2] Manuel Fogue, piedadgarrido, *Member, IEEE*, Francisco J. Martinez, *Member, IEEE*, Juan-Carlos Cano, Carlos T. Calafate, and Pietro Manzoni, *Member, IEEE*,” A System for Automatic Notification and Severity Estimation of Automotive Accidents” IEEE Transactions on Mobile computing, VOL. 13, NO. 5, MAY 2014

[3] Rajeshwarisundar, santhoshshebbar, and varaprasadgolla, “Implementing Intelligent Traffic Control System for Congestion Control, Ambulance Clearance, and Stolen Vehicle Detection” IEEE SENSORS JOURNAL, VOL. 15, NO. 2, FEBRUARY 2015

[4] Automatic accident detection and ambulance rescue with intelligent traffic light system by Mr.S.Iyyappan , Mr.V.Nandagopal International Journal of Advanced Research in Electrical, Electronics and Instrumentation Engineering Vol. 2, Issue 4, April 2013

[5] Intelligent Accident-Detection And Ambulance- Rescue System by Bhandari Prachi, Dalvi Kasturi, Chopade Priyanka,

INTERNATIONAL JOURNAL OF SCIENTIFIC & TECHNOLOGY RESEARCH VOLUME 3, ISSUE 6, JUNE 2014

[6] Sotiris Pavlopoulos, efthyvouloskyriacou, Alexis Berler, Spyros Dembeyiotis, and dimitriskoutsouris, *Senior Member, IEEE*,” A Novel Emergency Telemedicine System Based on Wireless Communication Technology—AMBULANCE” IEEE TRANSACTIONS ON INFORMATION TECHNOLOGY IN BIOMEDICINE, VOL. 2, NO. 4, DECEMBER 1998

[7] Xiaolin Lu, Develop Web GIS Based Intelligent Transportation Application Systems with Web Service Technology, Proceedings of International Conference on ITS Telecommunications, 2006.

[8] Seokcheon Lee , Role of Parallelism in Ambulance Dispatching” IEEE TRANSACTIONS ON SYSTEMS, MAN, AND CYBERNETICS: SYSTEMS, VOL. 44, NO. 8, AUGUST 2014 pp 1113-1122

[9] Andrew Phan and Frank P. Ferrie, *Member, IEEE*,” Interpolating Sparse GPS Measurements Via Relaxation Labeling and Belief Propagation for the Redeployment of Ambulances” IEEE TRANSACTIONS ON INTELLIGENT TRANSPORTATION SYSTEMS, VOL. 12, NO. 4, DECEMBER 2011 pp 1587-1598

[10] Manuel Fogue, piedadgarrido, *Member, IEEE*, Francisco J. Martinez, *Member, IEEE*, Juan-Carlos Cano, Carlos T. Calafate, and Pietro Manzoni, *Member, IEEE*,” A System for Automatic Notification and Severity Estimation of Automotive Accidents” IEEE TRANSACTIONS ON MOBILE COMPUTING, VOL. 13, NO. 5, MAY 2014